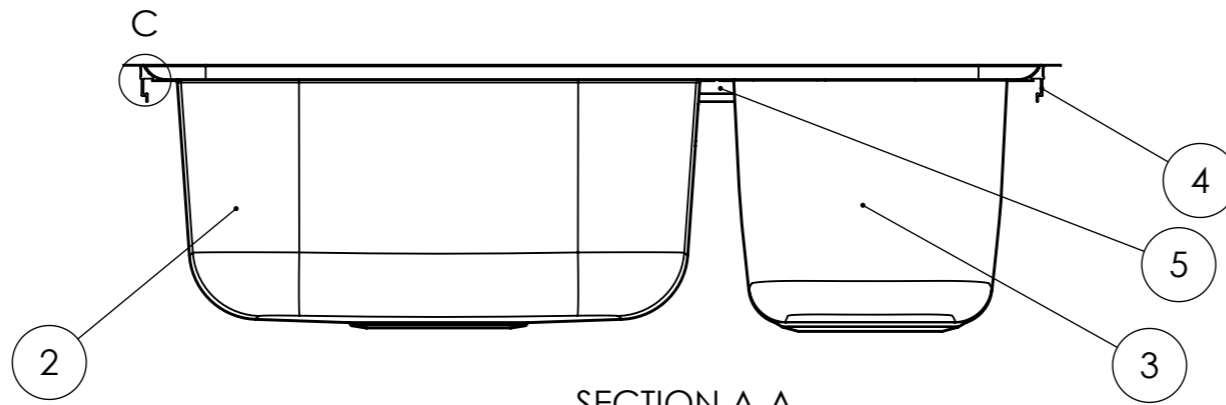
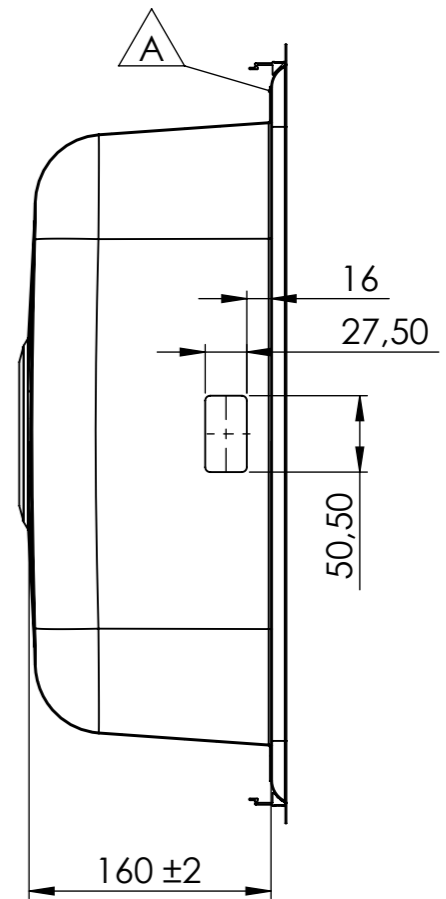
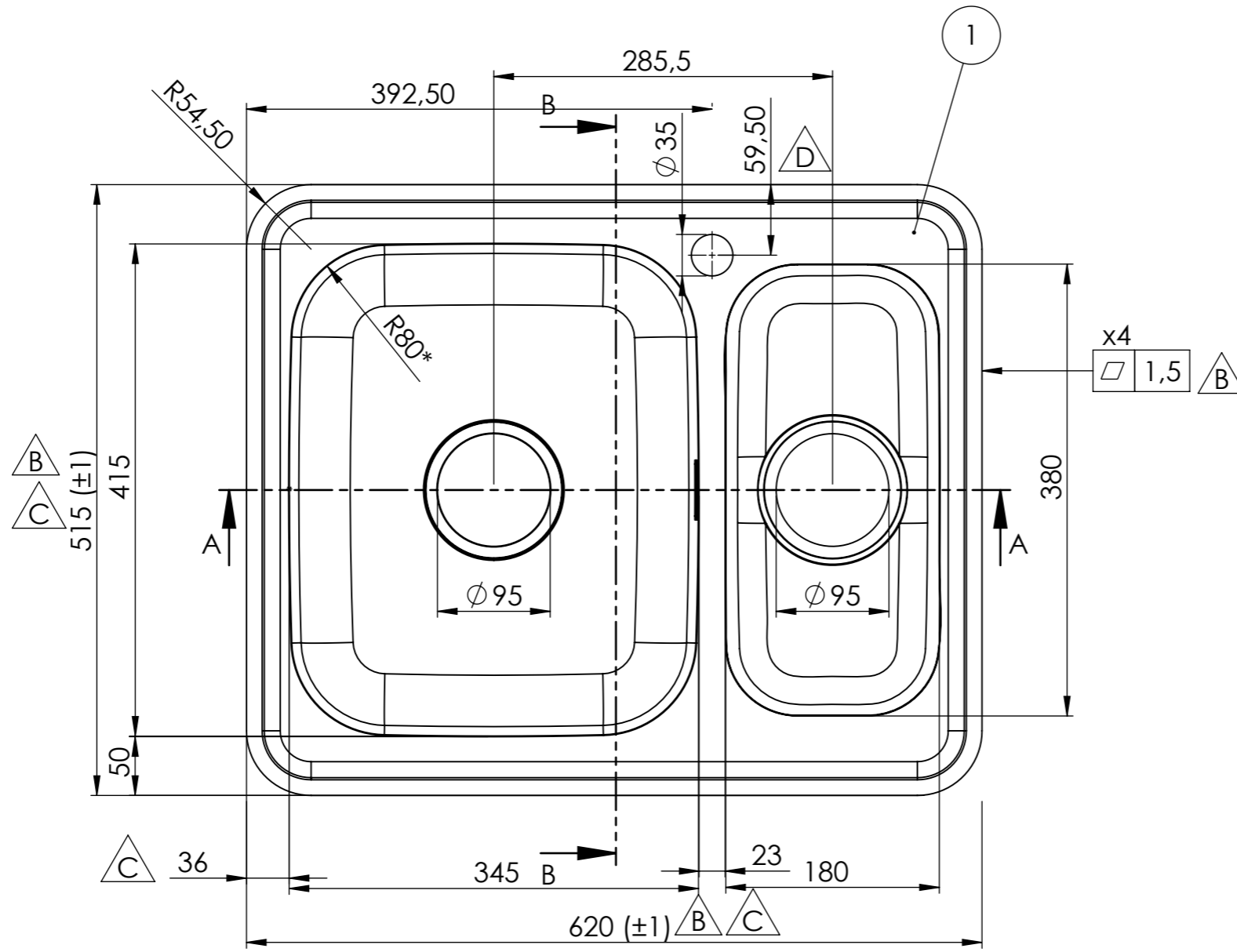


DETAIL C



SECTION A-A

Rev.	Qty.	Change	Date	Sign.
A	3	R1 ->R2. R30 ->R15. A wider flange on the bowls that counteracts shrinkage stress during welding. Adaptation in the bowls flange for the tap hole to make the tap sit more firmly.	2022-01-20	MR
B	3	Flatness tolerance 1,5 added. Tolerance (± 1) added.	2022-11-23	LC
C	3	Dimensions changed from 615 -> 620, 510 -> 515, 8 -> 9, 47.5 -> 50, 33.5 -> 36. New tolerance.	2023-01-10	LC
D	3	Dimensions changed from 9 -> 9.5, 57 -> 59.50. New design of rails.	2023-01-31	LC
E	1	New name from Nivis 615SHF -> Nivis 62SHF because of dimension change.	2023-02-27	LC



SECTION B-B

Denna handling är vår egendom och får ej utan vårt skriftliga medgivande kopieras, förvisas eller överlämnas till obehörig person

Nr.	Ant.	Name	Material	Art. nr
1	1	Bänktop Nivis 615SHF	1.4301	ZPNIV615SHF
2	1	Låda 345	EN 1.4301	YL345NIV
3	1	Låda 180	EN 1.4301	YL18NIV
4	2	Klammerskena (gavel)	Aluminium EN 6060	750521
5	2	Klammerskena (långsida)	Aluminium EN 6060	750523

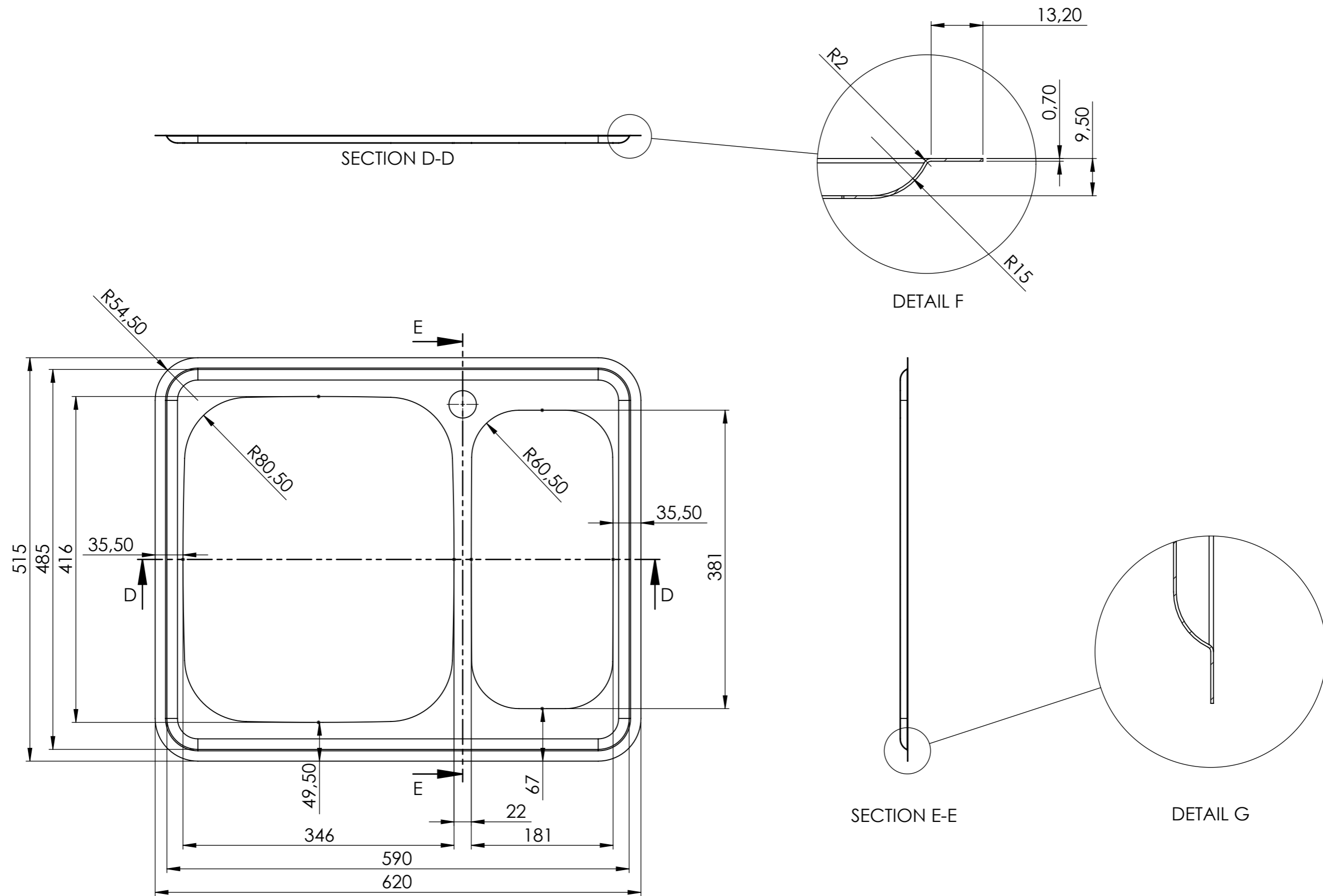
Konstr. LC Ritad LC Godk. MR Smst nr. Ers.

Dat. 2021-08-17 Skala 1:5 Intra Nivis 62SHLF Art.nr: XNIV62SHF

intra SCANDINAVIAN DESIGN

Ritn.nr 15816

Ändr. E



Konstr.	LC	Ritad	LC	Godk.	MR	Smst nr.	Ers.		
Dat.	2021-08-17	Skala	1:5	Bänksplan Intra Nivis 62 SHLF Art.nr: ZPNIV62SHF				Ritn.nr	15816-1
intra SCANDINAVIAN DESIGN									Ändr. E