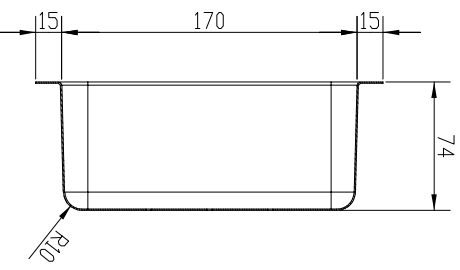
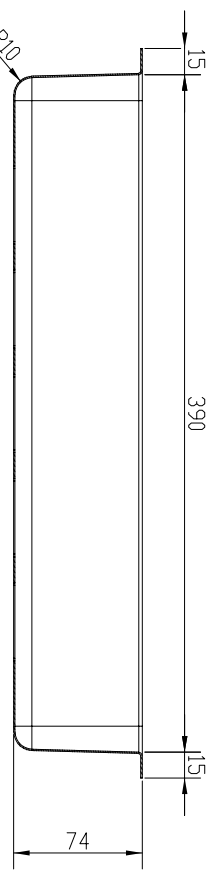


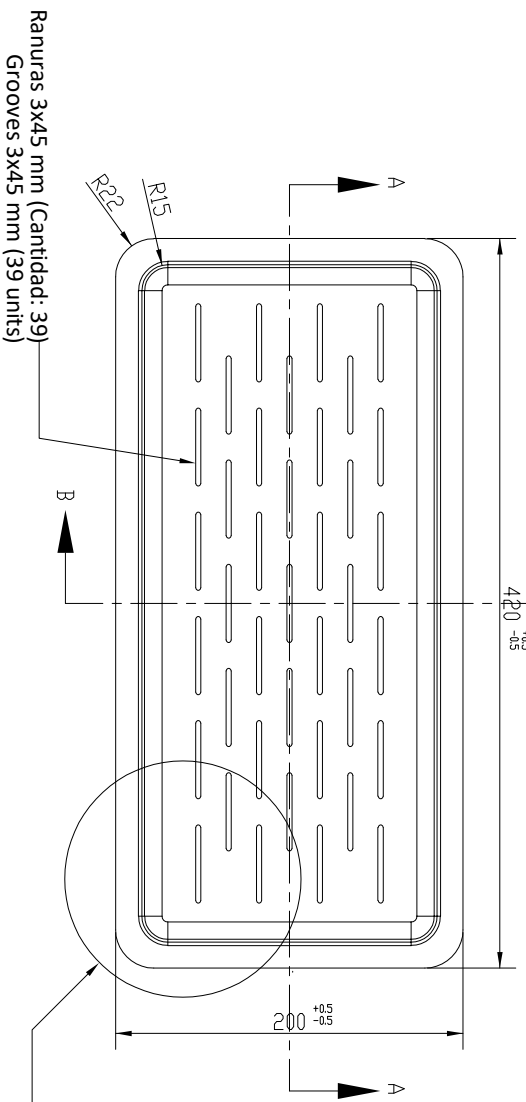
VISTA 3D / 3D VIEW



SECCIÓN B-B  
SECTION B-B

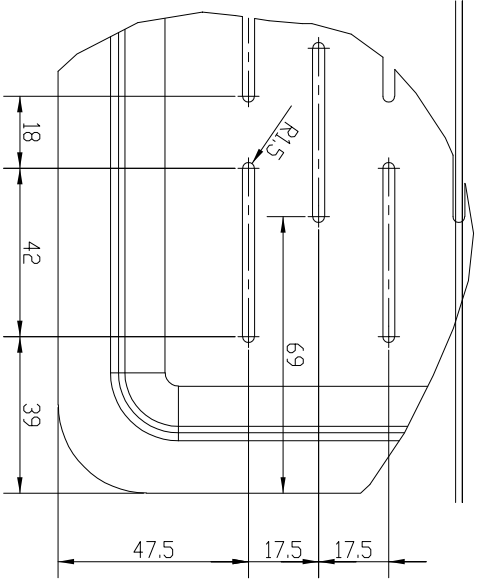


SECCIÓN A-A / SECTION A-A



Ranuras 3x45 mm (Cantidad: 39)  
Grooves 3x45 mm (39 units)

VER DETALLE A  
SEE DETAIL A



DETALLE A DETAIL A  
ESCALA 3:4 / SCALE 3:4

40199072  
CÓDIGO / PART NO.



DRAWING SIZE: A3  
HOJA / SHEET: 1 OF 1  
PLANO Nº / DRAWING NUMBER: AZ 15615a  
SUSTITUIVA / REPLACEMENT TO: AZ 15615

REV	a	Eliminar silicona en ala / Eliminate silicone in rim	LOC.	C.R.G.	07.08.19
DESCRIPCIÓN DEL CAMBIO / DESCRIPTION OF CHANGE					
THIS DRAWING IS THE PROPERTY OF TEKA INDUSTRIAL, S.A. IT CONTAINS CONFIDENTIAL INFORMATION BELONGING TO AND/OR ENTRUSTED TO TEKA. IT IS DISCLOSED IN CONFIDENCE AND SHALL NOT BE HELD, REPRODUCED, DISCLOSED OR USED EXPERIMENTALLY / TREATMENT IN A MANNER AND FOR A PURPOSE EXPRESSLY PERMITTED BY TEKA IN WRITING.					
TOLERANCIAS GENERALES / TOLERANCE UNLESS OTHERWISE SPECIFIED					
ISO 2768 mk					
MATERIAL	Acero inoxidable 1.4301, Espesor 0,8 mm				
UNITS: mm	Stainless Steel 1.4301, Thickness 0,8 mm				
ESCALA / SCALE	1:3				
DO NOT SCALE					
TÍTULO / DESCRIPTION	COLADOR INOX 420 X 200 X 74 R15				
INTERPRETACIÓN PER ISO 1101					
FECHA DE VALIDACIÓN / Creation date	25.10.16				
CREADO POR / Created by	C.R.G.				
TIPO DE DOCUMENTO / Document Type	Pieza / Part				
APROBADO POR / Approved by	M.A.C.				

