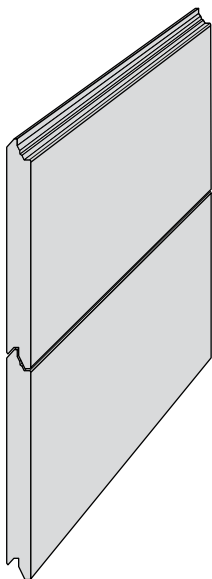


Bamboo X-treme[®] Outdoor Cladding

installation instructions

closed profile BO-DTHT530

horizontal



MOSO® Bamboo X-treme® Outdoor Cladding

installation instructions closed profile BO-DTHT530

important

- The MOSO® Bamboo X-treme® outdoor cladding board is a natural product, some variation in colour, grain and appearance is normal. Colour can change fast from dark brown to brown or grey, depending on the climatic conditions and maintenance schedule.
- Small cracks and splinters on the surface and on the board ends can arise from the different drying characteristics of the surface and ends. The surface will also become rougher over time. This phenomenon is normal for most wood species and is minimized for this product through the unique 'Thermo-Density®' production method. Cracks on the ends can be further minimized by applying sealer.
- Slight dimensional changes or cupping of the boards can occur after installation. This phenomenon is normal for most wood species and is minimized for this product through the unique 'Thermo-Density®' production method.
- We recommend applying sealer on every (cut) end to prevent water penetration. Sikkens Kodrin Sealer WV 456 is available from MOSO®.

before horizontal installation

- Fix the vertical battens (at least 20 mm thick, 60 mm wide) using screws going through the membrane into the wall construction behind. This creates a rigid/flat surface for installation of the boards.
- Each board should be fixed to at least 3 battens: so the maximum centre-to-centre spacing between the battens is 616.7 mm (1850 mm/3) (diagram 1 + page 4 - normal pattern).
- Any other smaller spacing is possible, as the position of the ends of the boards can be random (boards are interlocked on length - and end-match system with tongue & groove on ends) (page 4 - random pattern).
- At the edges of the cladding, keep a gap of 7-10 mm from adjacent materials, to allow for sufficient ventilation. As there is no ventilation between individual boards, openings (min. 200 mm²/m² facade) should be provided at the top and bottom of the facade (diagram 2).
- In the top of the facade a rooftrim should be installed to avoid direct (rain)water in the cavity.
- As dimensional change (due to humidity differences) of MOSO® Bamboo X-treme® is limited, there is no need to add expansion gaps other than those already existing in the building.
- Make sure to drive the screw deep enough into the supporting construction for proper fixing.

diagram 1

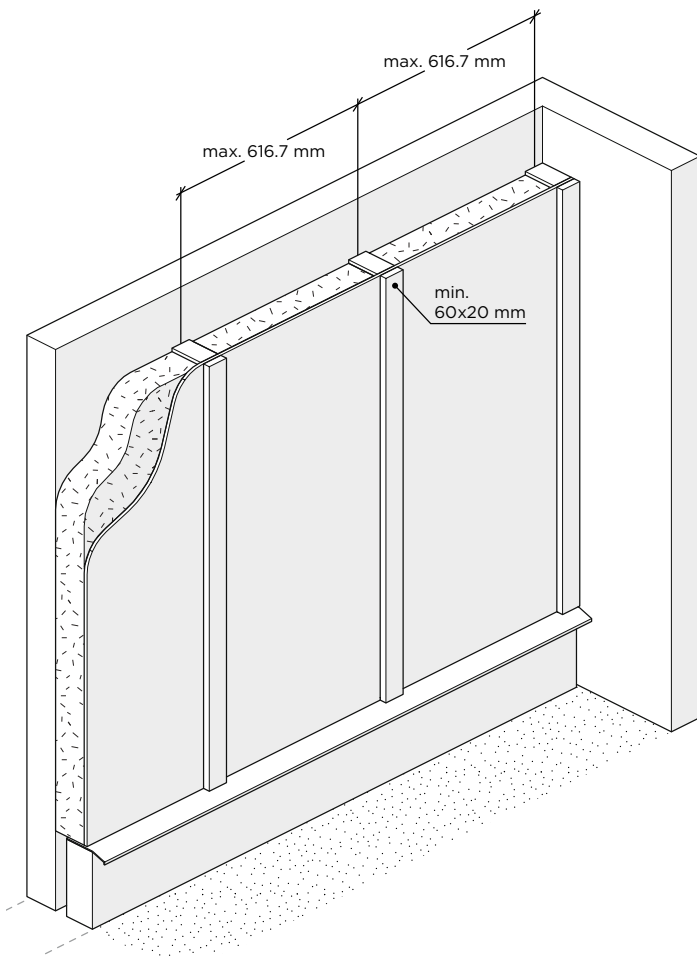
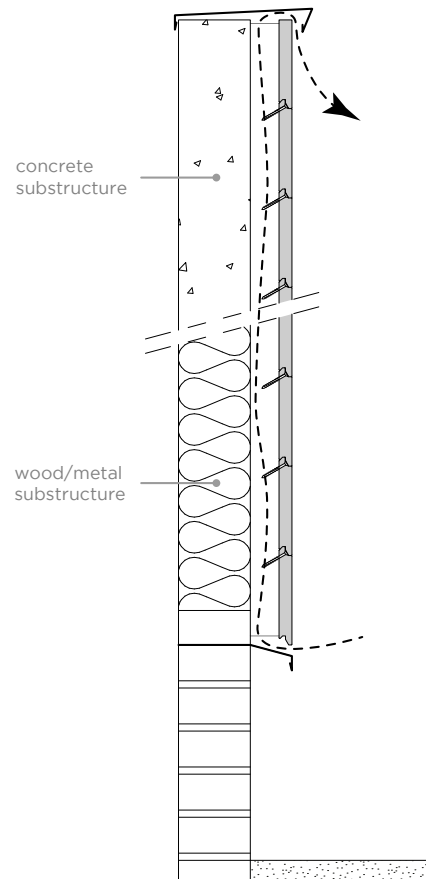


diagram 2



MOSO® Bamboo X-treme® Outdoor Cladding

installation instructions closed profile BO-DTHT530

horizontal installation

STEP 1 - Install first row

- The top side of the board can be identified by the small groove to position your drill (diagram 3).
- Start with the lowest row of boards and make sure they are placed fully level (using a spirit level).
- Make sure a ventilation gap (7-10 mm) is kept on the edge of the cladding.
- To fix the bottom edge of the board there are 2 commonly used options (diagram 4):
A: Visible screw B: Polymer glue (consult your local supplier for recommended types of glue)
- If the sub structure is soft wood, predrilling & countersinking the bamboo is enough. If the sub structure is hardwood/bamboo, also predrill the sub structure.

- Position your drill in the groove on the topside of the board and drill a hole under 30° angle with sufficient diameter (diameter drill \geq diameter screw).
- Use minimum A2 stainless steel quality screws for mounting.

STEP 2 - Install next rows

- Place boards on top of the existing row and make sure no seams/gaps exist between the boards. In case manual pushing is not sufficient, use a rubber mallet to tap boards in place.
- Make sure the ends of the boards are completely closed and leave no gaps.

diagram 3

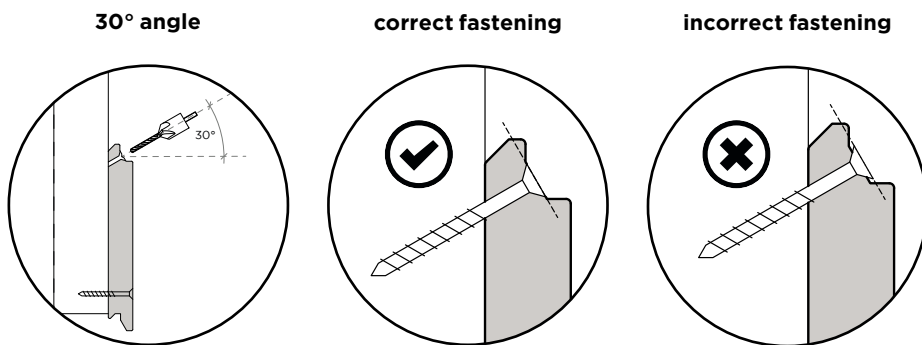
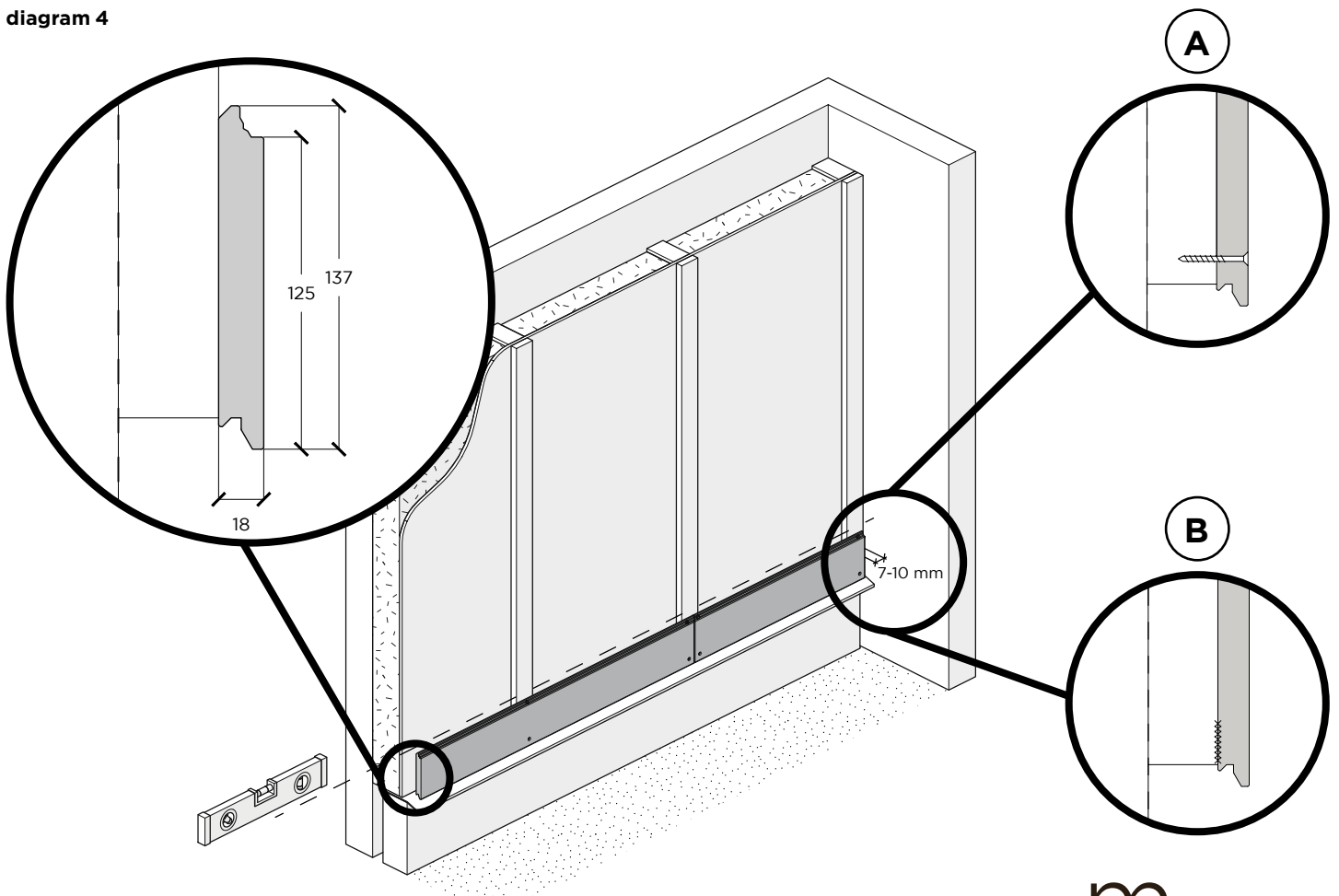


diagram 4



MOSO® Bamboo X-treme® Outdoor Cladding

installation instructions closed profile BO-DTHT530

cleaning and maintenance

You can leave the cladding without any maintenance, but take into consideration that without maintenance and oiling the cladding will develop a rougher, fissured surface that will lighten quicker and become grey (similar to most timber).

If you want to keep a darker colour, regular application of Woca or Sikkens maintenance materials is needed:

- Clean the cladding with water.
- Let the cladding dry.

When the cladding is completely dry apply the finish according to the supplier's instructions.

normal phenomena

Cracks on the surface and on the ends of the boards can occur due to the different drying characteristics of the surface and board ends.

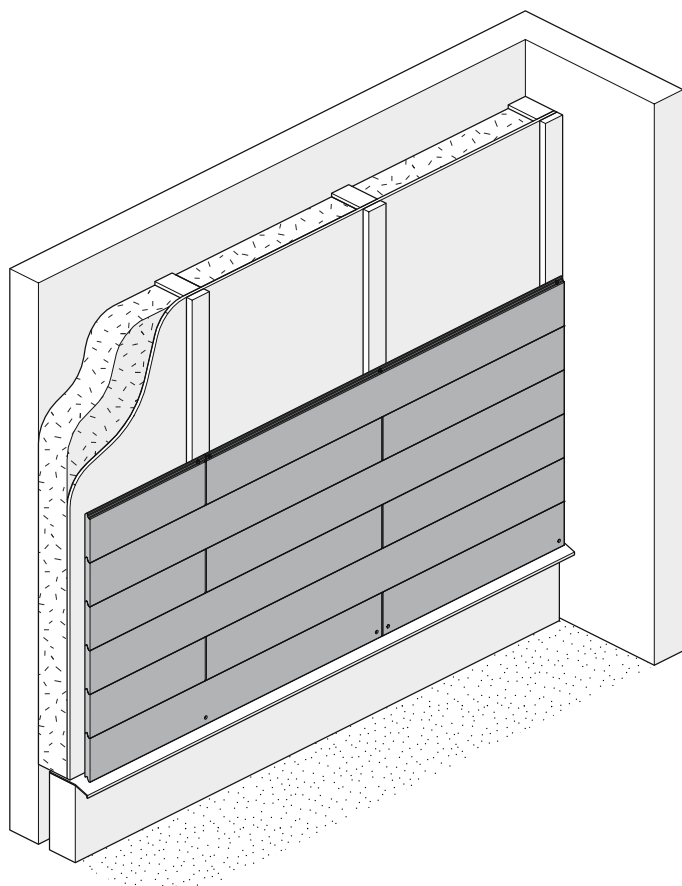
This does not affect the stability or durability of the board.

The surface side of the boards will become rougher over time and can form (small) splinters as a result of continuous water absorption and desorption due to dry and wet weather periods. Dimensional change or cupping of the boards can occur after installation. These phenomena are normal for most hardwood species and MOSO® Bamboo X-treme®.

After installation, there might be some bleeding or leaching of colour from the bamboo material when it gets wet, e.g. when it rains. This possible bleeding is typical for wood and will disappear over time.

The brownish liquid can easily be cleaned from the Bamboo X-treme® material, however controlled water drainage and prevention of splash water is required to prevent any discoloration of surrounding or underlying building components.

normal pattern



storing

Store MOSO® Bamboo X-treme® in a cool and dry place away from direct sunlight, and protected from weather influences, dirt and dust.

additional note

Whilst all due care is taken to ensure the accuracy of the installation instructions, individual circumstances (location, sub structure and installation procedures) may vary and are beyond the manufacturer's control. In case of doubt, therefore, consult the distributor. Always follow the local building code.

MOSO warrants the bamboo material and the mounting materials (screws) it supplies but does not warrant the connection with other materials (such as sub frame joist/battens). It is the responsibility of the installer to make sure the used screw matches such materials during the full lifetime of the product.

These instructions are subject to change. For the latest version visit www.moso-bamboo.com/x-treme/cladding

Copyright © Nothing from this text may be reproduced without the prior permission in writing from MOSO International BV.

random pattern

